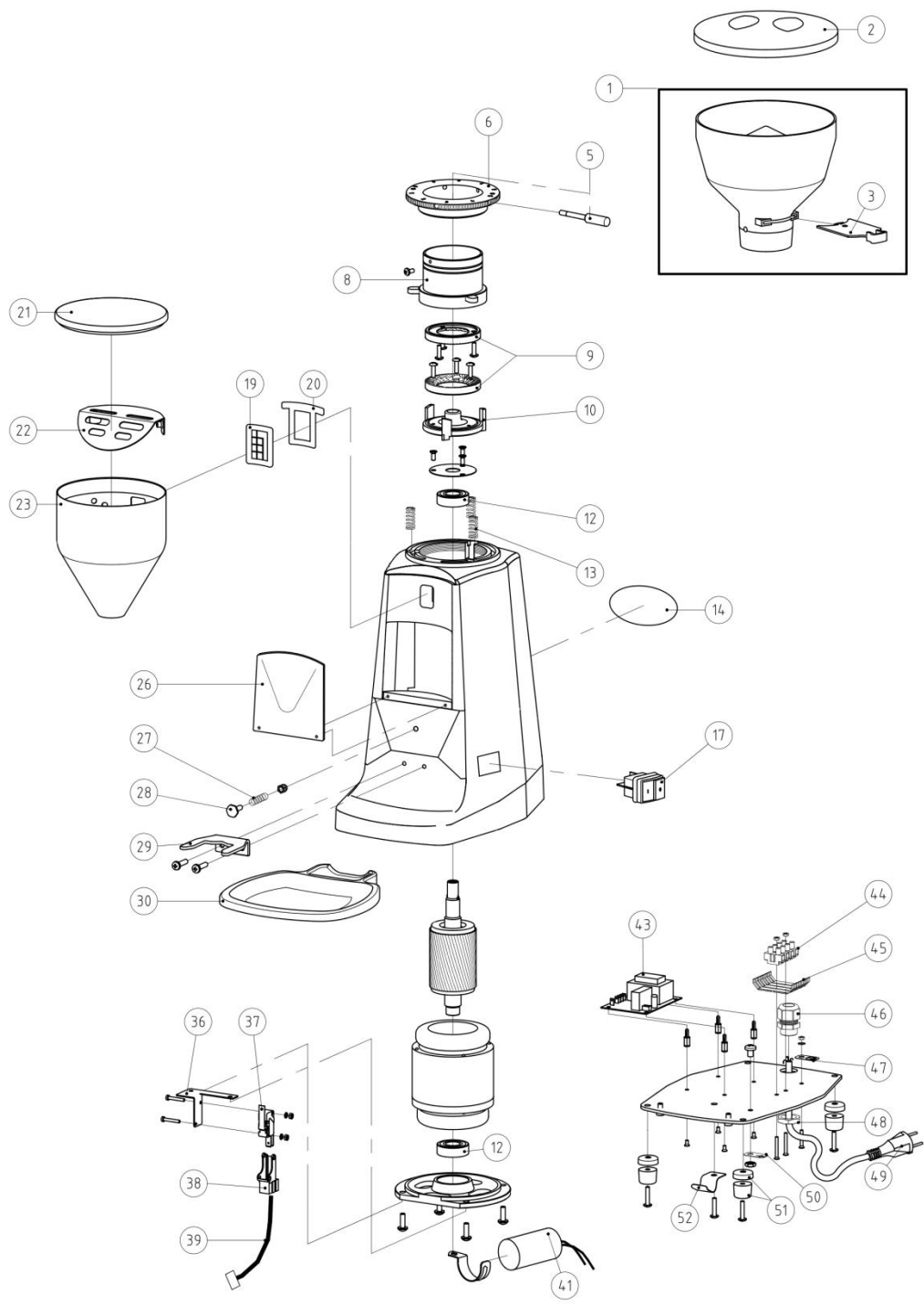


LUX D  
EXPLODED VIEW





Position	Description	Part Number
1	Mini Hopper, Short (no lid)	M28350001/SHORT
2	Mini Hopper Lid	M28054009
3	Hopper Locking Slide	M28326010/VT
5	Grinding Adjustment Disk Handle	M28360012
6	Coffee Grinding Adj. Disk , SJ / Mini E / Kony / Lux	M28157
8	Upper Burr Holder, Lux	M28360030/LUX
9	LUX BURRS, 195D	M282195
10	Lower Burr Holder, Lux	M28253/L
12	Bearing, 6202	M28057
13	Grinding Adjustment Spring	M28233
14	La Marzocco Lux Back Name Plate	M28536
17	Green Light Switch	M28163/MINI
19	Grid, Lux On Demand	M28670/L
20	Gasket Aer-Stop	M28400004
21	Mazzer Doser Lid	M28055
22	Coffee Outlet Cover Plate, MINI	M28323/MINI
23	Funnel for Mini 'E' / Lux on Demand	M28660/MINI
26	Motor Cover, for Lux On Demand	M28500/L
27	Spring for Control Pin	M28242
28	Control Pin	M28243
29	Fork for Major, SJ, MINI, LUX On Demand / Electronic	M28122/ME
30	Drip Tray (Metal, Square)	TRAY/MINI
36	Fixing Plate, for Micro Switch	M28244/PLATE
37	Micro Switch Control	M28244
38	Box for Micro Switch Control	M28244/BOX
39	Connection Cable, for Micro Switch	M28244/CABLE
41	Capacitor 20 Uf	M19051
43	Board, for Lux On Demand	M28701
44	Terminal Blocks	M28903
45	Under Terminal Blocks	M28904
46	Cable Locking HSK-K PG11 Black	M30020
47	Ground Plate	M28902
48	Nut for Cable Locking	M30021
49	Mazzer Power Cable	M30022
50	External Unipotential Clamp, Plate	M28905
51	Mazzer Foot	M28258
51	Screw TC 5X20 For Back Feet	M28258/SCL
51	Screw, TC 5X12	M28258/SCS
52	Mazzer Grounds Tray Clip	M28259