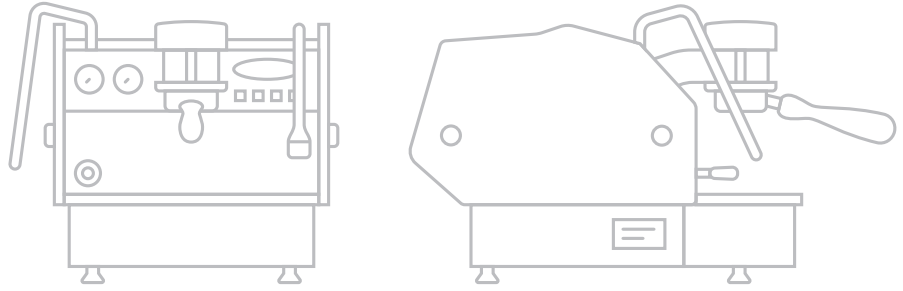


U.S. installation guideline

gs3



Dimensions

| | |
|-----------------------------|--------------------|
| Height | 14" (17.5" for MP) |
| Width | 16" |
| Depth | 21" |
| Working Height [°] | 10.25" |

Weights

| | |
|------------------|---------|
| Shipping Weight | 104 lbs |
| Operating Weight | 84 lbs |

Power

| | |
|-------------------------|------------------------------|
| Voltage/Phase/Cycle | 120 VAC 1Φ 60Hz |
| Wattage | 1620 |
| Full Load Amp Draw | 20 (14.6 in half power mode) |
| Max. Dist. from Outlet* | 5' |
| NEMA Plug and Outlet* | 5-15P, plug is included |

Water

Specifications for plumb-in. Disregard if using the internal water reservoir.

| | |
|--------------------------|--|
| Water Flow Rate | 2GPM |
| Dynamic Water Pressure † | 45PSI |
| Min. Pipe Size Diameter* | 3/8" |
| Water Connection* | 3/8" male comp. |
| Water Quality | Contact us for a free water test kit. See water specifications. |

Drainage

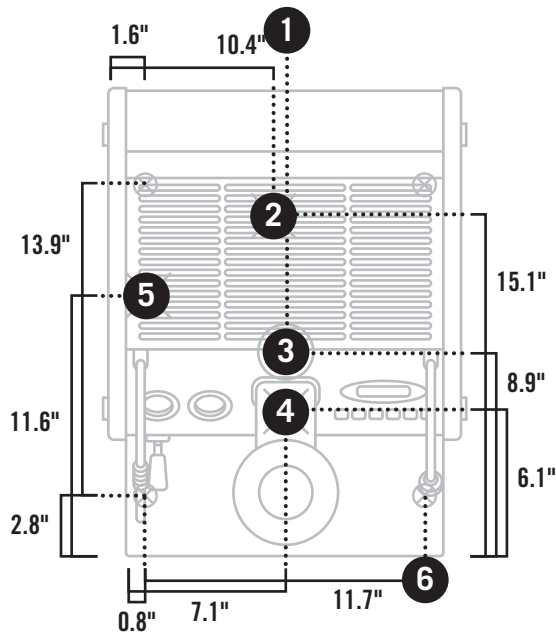
| | |
|-----------------------|--------------------|
| Max. Dist.* | 5 ft |
| Drain Slope*‡ | Min. 1/4" per foot |
| Counter Hole Diameter | 2" |

* suggested | † regulate as needed | ‡ This machine must be installed in accordance with the applicable federal, state and local plumbing codes
° Height from the base of the machine to the group head



la marzocco

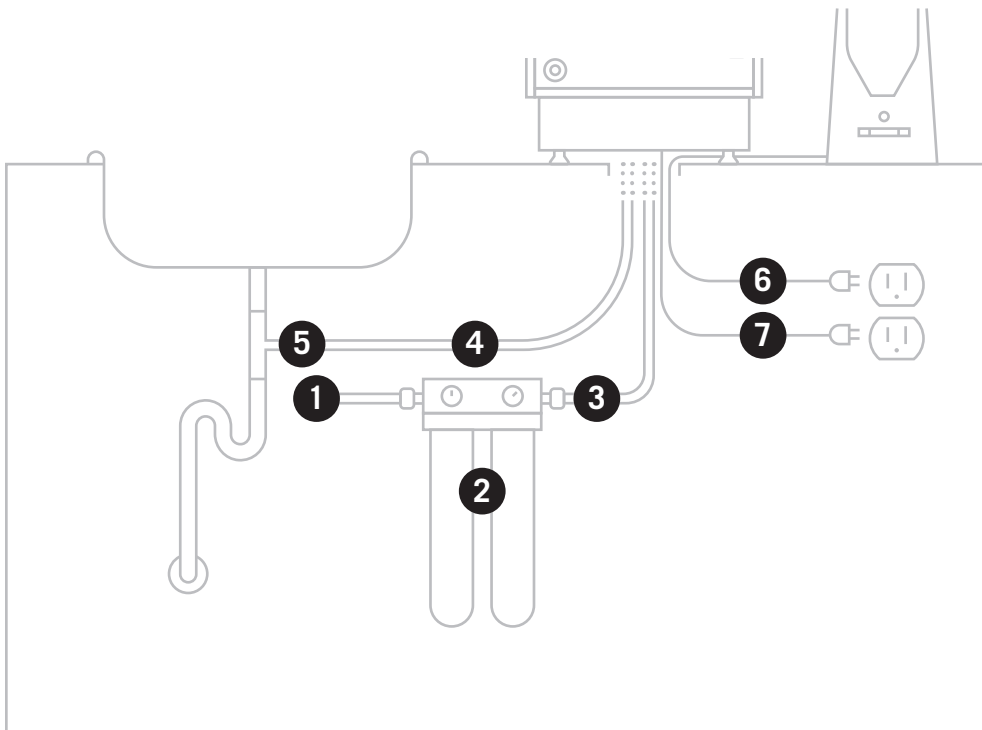
handmade in florence



top view

1. center line of the machine
2. position of the power cord
3. suggested diameter of counter hole: 2.5"
4. position of the drain tube
5. position of the water inlet hose
6. width of legs per model

⊗ machine leg location



front view

Specifications for plumb-in. Disregard if using the internal water reservoir.

1. 3/8" cold water supply
2. water filter required if plumbed (not provided), see water specifications below.
3. 3/8" BSPP cold water supply line suggested max. dist. from water supply 8'
4. 3/4" flexible drainline (min. 0.25"/1' slope)
5. sink drain above p-trap
6. 120V, 15amp electrical supply to grinder
7. 120V, electrical supply to espresso machine (plug included)

water specifications

La Marzocco recommends that your filtration system produces water with the following properties:

| | | | |
|-----------------------|------------|----------------------|----------------|
| T.D.S. | 90—150ppm | pH | 6.5—8 |
| Total Hardness | 70—100 ppm | Alkalinity | 40—80ppm |
| Total Iron | 0—0.02ppm | Chloride | 0—30ppm |
| Free Chlorine | 0—0.05ppm | Line Pressure | 45—80 PSI |
| Total Chlorine | 0—0.1ppm | Flow Rate | 2 GPM or 8 LPM |